

WINEGARD®

Winegard repair parts are available at many RV dealers and/or service centers nationwide. For the dealer nearest you, call 1-800-288-8094 or visit our website at www.winegard.com.

Sensar® RV TV Antenna Replacement Parts

RVW-205 Amplified integrated Sensor/RV-WING antenna head. Requires 16" from boom to nearest obstruction for installation.

RV-WING Snap-on UHF upgrade for Sensar II and III antenna heads (*made after 1990*). Requires 16" from boom to nearest obstruction for installation.

RV-2005 Amplified Sensar III antenna head where space from boom to nearest obstruction is less than 16".

RP-2900 2 Elevator tubes with 2 grommets / 4 pins / 4 retaining rings / adhesive rubber bumper

RP-2000 Leveling mount / 4 spacers / 2 pins / 2 rings (*for models purchased before 1990*)

RP-3000 Elevating gear

FC-5932 RG-59 Weatherproof connector (12 pack)

SA-1001 Ivory preassembled elevating shaft / gear housing / base plate

RP-4000 Worm gear and 12.25" hex elevating shaft

(complete assembly including: wave washer / flat washer / o-ring / worm gear nut)

RP-4014 Worm gear and 14" hex elevating shaft

(complete assembly including: wave washer / flat washer / o-ring / worm gear nut)

RP-2049 Gear housing / 2 pins / bearing / o-ring seal / 2 retaining rings / nut

RP-3523 Base plate / 10 screws / rubber boot

RW-2000 Outside roof wedge (*used on slanted roofs*)

IW-5012 Interior roof wedge (*used on slanted ceilings*)

RP-0154 Boot (*only needed for Sensar I and II*)

RP-6200 Ivory **RP-6300** White Directional handle / ceiling plate / 4 screws / spring (*RP-6822 included*) / decal

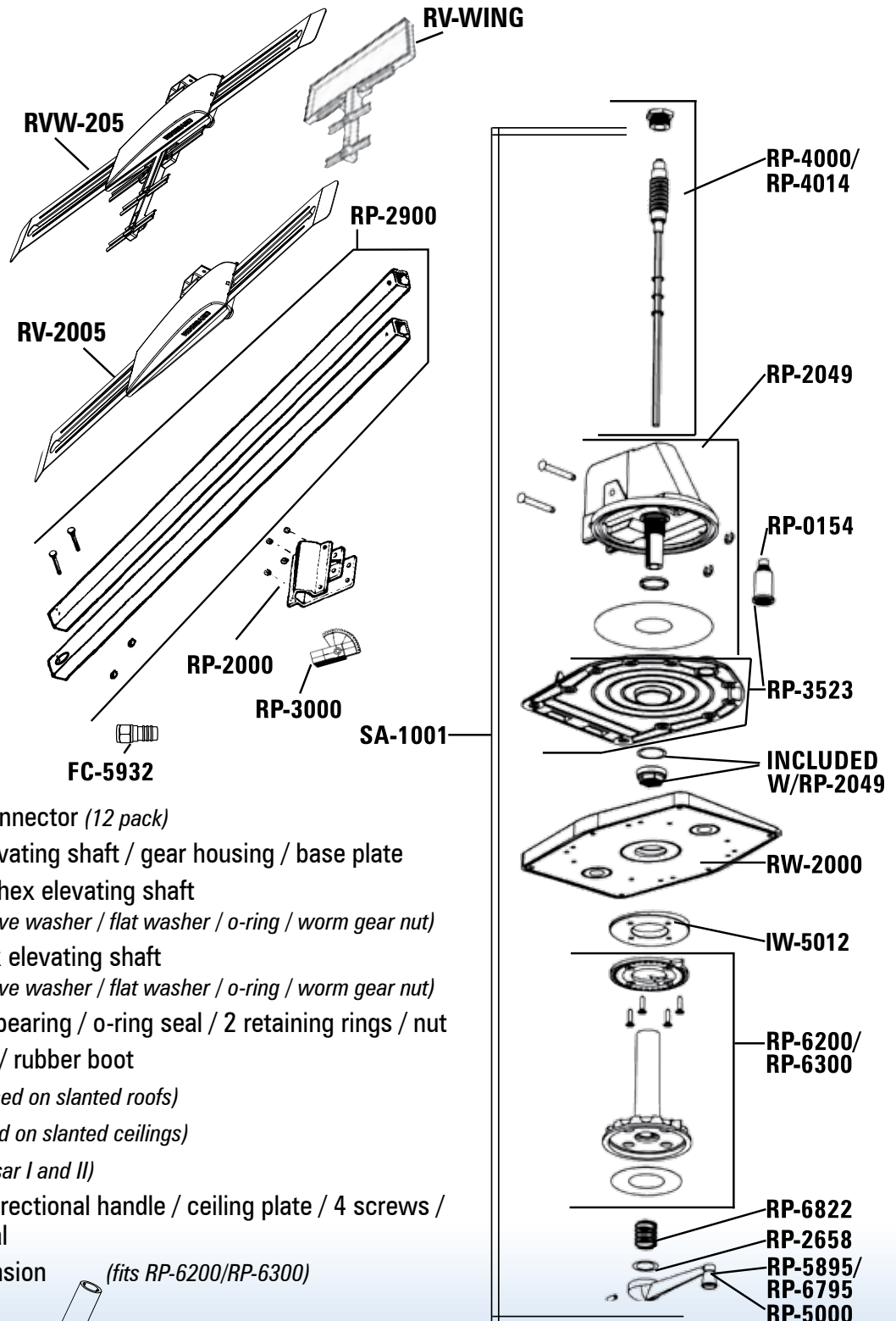
EK-1036 Directional handle extension (*fits RP-6200/RP-6300*)

RP-6822 Spring

RP-2658 Nylon bearing

RP-5895 Ivory **RP-6795** White Crank / set screw / hex shaft

RP-5000 Crank / set screw / round shaft



WINEGARD®